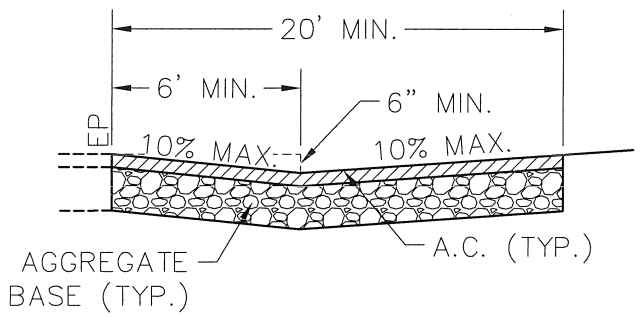


SEE NOTES 3 & 4

CULVERT DRAIN SECTION

NOTES:

1. PAVEMENT NOT REQUIRED WHEN CONNECTING TO A GRAVEL ROAD.
2. EXTEND CULVERT 1' BEYOND TOE OF SLOPE. APPLY ROCK INLET/OUTLET PROTECTION IF SLOPE OF DITCH EXCEEDS 7%.
3. CONSTRUCT DITCH FROM END OF CULVERT TO EXISTING DITCH (BOTH SIDES).
4. IF CULVERT IS REQUIRED, MINIMUM CULVERT SIZE SHALL BE 12" OR AS DIRECTED BY PUBLIC WORKS. CULVERT MAY BE 12 GAUGE CMP, HDPE, RCP, SDR35, C905 OR AS APPROVED BY PUBLIC WORKS.



VALLEY DRAIN SECTION

YUBA COUNTY DEPARTMENT OF PUBLIC WORKS	
DRIVEWAY APRON 1 OR 2 RESIDENCES	
APPROVED BY:	DATE: 8-29-06
	128