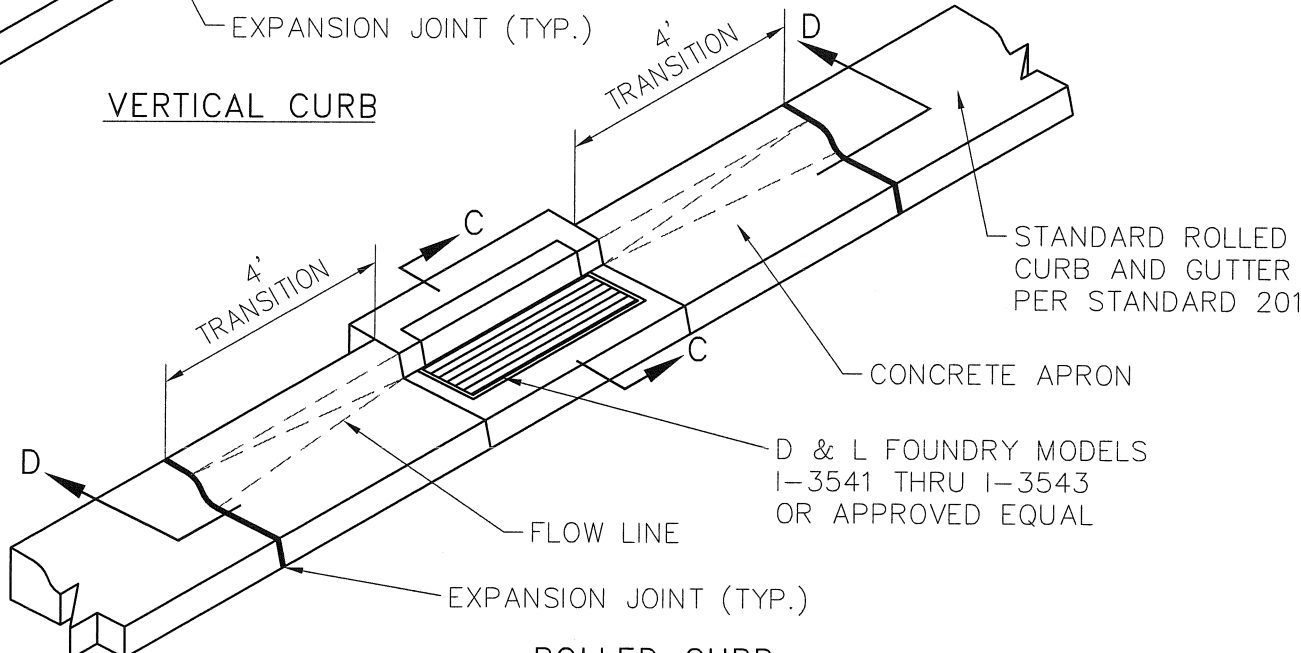
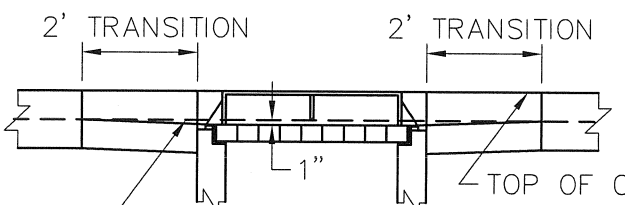


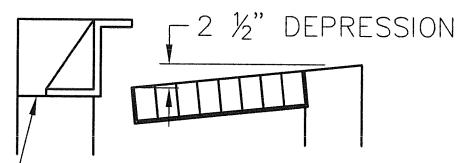
**VERTICAL CURB**



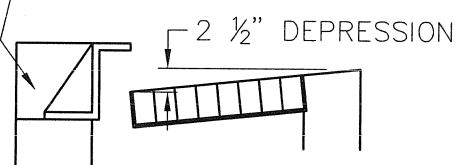
**ROLLED CURB**



**SECTION B-B (VERTICAL CURB)**

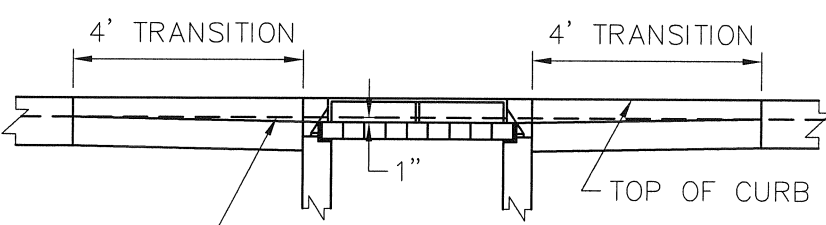


**SECTION A-A**

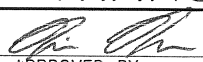


**SECTION C-C**

SEE STANDARD DRAINAGE INLET DETAIL



**SECTION D-D (ROLLED CURB)**

YUBA COUNTY DEPARTMENT OF PUBLIC WORKS	
<b>INLET TRANSITIONS</b>	
APPROVED BY: 	DATE: 8-29-06
<b>401</b>	