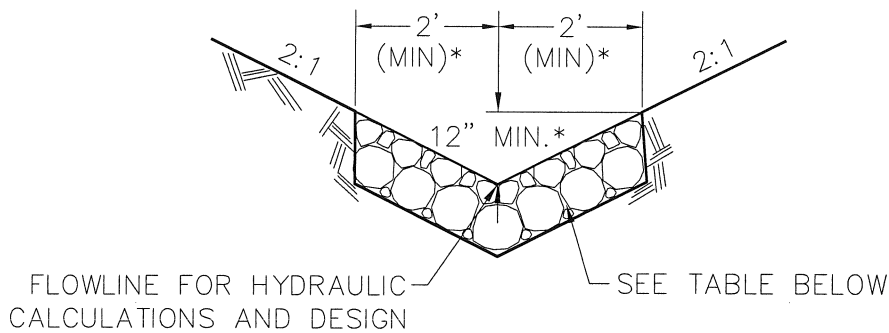


ROADSIDE ROCK LINED DITCH DETAIL



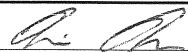
ROCK LINED DITCH DETAIL

NOTES:

1. ROCK LINED DITCHES ARE REQUIRED AS SPECIFIED IN THE YUBA COUNTY STANDARDS. ROADSIDE ROCK LINED DITCHES SHALL BE PROVIDED WHEN SLOPE EXCEEDS 5% OR WHEN FLOWLINE VELOCITY IS 5 FT/SEC OR GREATER.
2. PLACE LARGEST ROCKS ON BOTTOM.
3. FOR DISTURBED SLOPE, PROVIDE STANDARD EROSION CONTROL MEASURES PER SECTION 11.6.
4. SEE CHART WHEN DITCH SLOPE DESIGN IS 10 FEET PER SECOND (FPS) OR UNDER. WHEN SLOPE EXCEEDS 10 FPS, DITCH LINING SHALL BE ENGINEERED.

* ACTUAL DIMENSIONS SHALL BE SUBSTANTIATED BY HYDRAULIC CALCULATIONS.

DITCH VELOCITY (FPS)	D ₅₀ ROCK SIZE (INCHES)	ROCK BED THICKNESS (INCHES)
5	4	6
6	6	9
7	8	12
8	10	15
9	14	21
10	16	24

YUBA COUNTY DEPARTMENT OF PUBLIC WORKS	
ROCK LINED DITCH	
 APPROVED BY:	8-29-06 DATE:
410	